

**Absorbent** breather type building paper/wrap turned into opening over frame

Palliside 2 part jamb flashing base

H3.1 jamb packer to suit

Apply sealant / flashing tape to sill / jamb junction

H3.1 sill packer to suit

Where necessary sill framing chamfered to ensure correct slope to sill tray is maintained

Palliside sill tray flashing to full width of opening

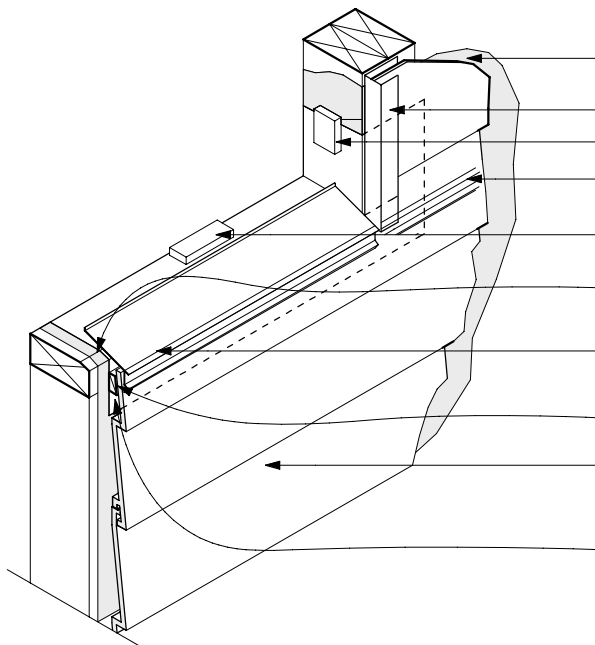
H3.1 timber packer

Palliside Rusticated weatherboard profile fixed with Palliside nails

Flexible sill flashing tape to full width of opening and minimum 100mm up jambs. Flashing tape to extend 50mm min onto face of building wrap.

Note:  
Window omitted for clarity.  
Sill tray nailed in place with nail heads covered with either flashing tape or neutral cured silicon

DF04 Window Sill Layout  
Palliside Rusticated Profile



**Absorbent** breather type building paper/wrap turned into opening over frame

Palliside 2 part jamb flashing base

H3.1 jamb packer to suit

Apply sealant / flashing tape to sill / jamb junction

H3.1 sill packer to suit

Where necessary sill framing chamfered to ensure correct slope to sill tray is maintained

Palliside sill tray flashing to full width of opening

H3.1 timber packer

Palliside Traditional Bevel Back profile fixed using Palliside nails

Flexible sill flashing tape to full width of opening and minimum 100mm up jambs. Flashing tape to extend 50mm min onto face of building wrap.

Note:  
Window omitted for clarity.  
Sill tray nailed in place with nail heads covered with either flashing tape or neutral cured silicon

DF04 Window Sill Layout  
Palliside Traditional Bevel Back

© copyright Palliside 2005  
[www.palliside.co.nz](http://www.palliside.co.nz)  
 free phone 0800 4 DYNEX (0800 4 39639)

